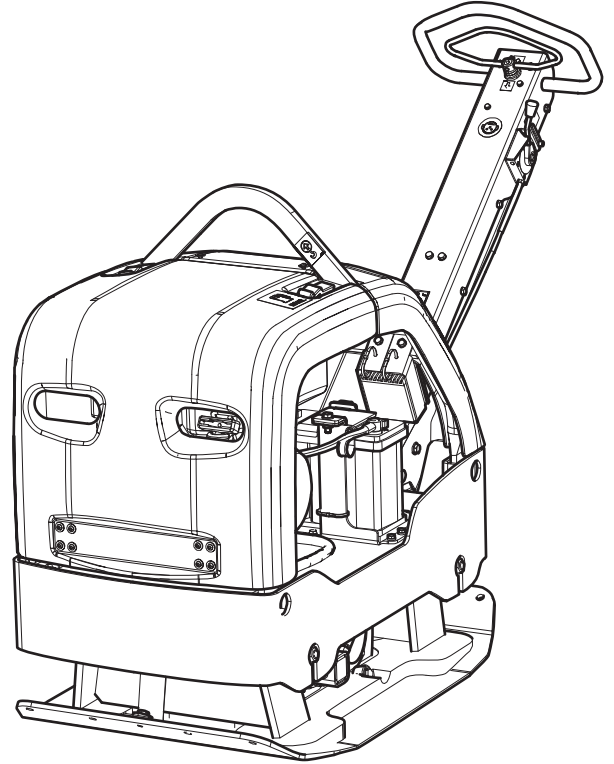


Spare parts list

Forward and reversible plate

| | Valid from serial number |
|---|--------------------------|
| LG 400 Honda Manual start 650 mm | 34001001 |
| LG 400 Lombardini Electric start 650 mm CE | 34001001 |
| LG 400 Lombardini Electric start 650 mm EPA | 34001001 |
| LG 400 Lombardini Electric start 650 mm CE CI | 34001001 |
| LG 400 Lombardini Electric start 650 mm CE CI Bio | 34001001 |
| LG 400 Lombardini Electric start 650 mm EPA CI | 34001001 |
| LG 400 Lombardini Electric start 650 mm CE Bio | 34001001 |
| LG 400 Honda Manual start 650 mm | BGF000001 |
| LG 400 Lombardini Electric start 650 mm CE | BGF000001 |
| LG 400 Lombardini Electric start 650 mm EPA | BGF000001 |
| LG 400 Lombardini Electric start 650 mm CE CI | BGF000001 |
| LG 400 Lombardini Electric start 650 mm CE CI Bio | BGF000001 |
| LG 400 Lombardini Electric start 650 mm EPA CI | BGF000001 |
| LG 400 Lombardini Electric start 650 mm CE Bio | BGF000001 |



Contents

| | |
|--|----|
| General information | 5 |
| Spare parts list | 6 |
| Frame and hoods | 6 |
| Engine plate | 8 |
| Ground plate and eccentric element installation | 10 |
| Eccentric element | 12 |
| Engine installation, Honda | 14 |
| Engine installation, Lombardini | 16 |
| Centrifugal clutch, Honda | 18 |
| Centrifugal clutch, Lombardini | 20 |
| Belt tightner | 22 |
| Hydraulic system | 24 |
| Battery installation | 26 |
| Compaction indicator | 28 |
| Handle | 30 |
| Throttle control, Honda | 32 |
| Throttle control, Lombardini | 34 |
| Labels | 36 |
| Kits | 38 |
| One year service kit, Honda | 38 |
| One year service kit, Lombardini | 38 |
| Shock absorber repair kit | 39 |
| Eccentric element repair kit | 39 |
| Forward and reverse piston repair kit | 40 |
| Compaction indicator kit | 41 |

General information

This spare parts list applies to the following:

| Part number | Description |
|--------------|--|
| 3382 0000 11 | Forward and reversing plate LG 400 Honda Manual start 650 mm |
| 3382 0000 09 | Forward and reversing plate LG 400 Lombardini Electric start 650 mm CE |
| 3382 0000 49 | Forward and reversing plate LG 400 Lombardini Electric start 650 mm CE Bio |
| 3382 0000 10 | Forward and reversing plate LG 400 Lombardini Electric start 650 mm EPA |
| 3382 0000 06 | Forward and reversing plate LG 400 Lombardini Electric start 650 mm CE CI |
| 3382 0000 08 | Forward and reversing plate LG 400 Lombardini Electric start 650 mm CE CI Bio |
| 3382 0000 07 | Forward and reversing plate LG 400 Lombardini Electric start 650 mm EPA CI |

Use only authorized parts. Any damage or malfunction caused by the use of unauthorized parts is not covered by Warranty or Product Liability. Any unauthorized use or copying of the contents or any part thereof is prohibited. This applies in particular to trademarks, model denominations, part numbers, and drawings.

Instructions for use

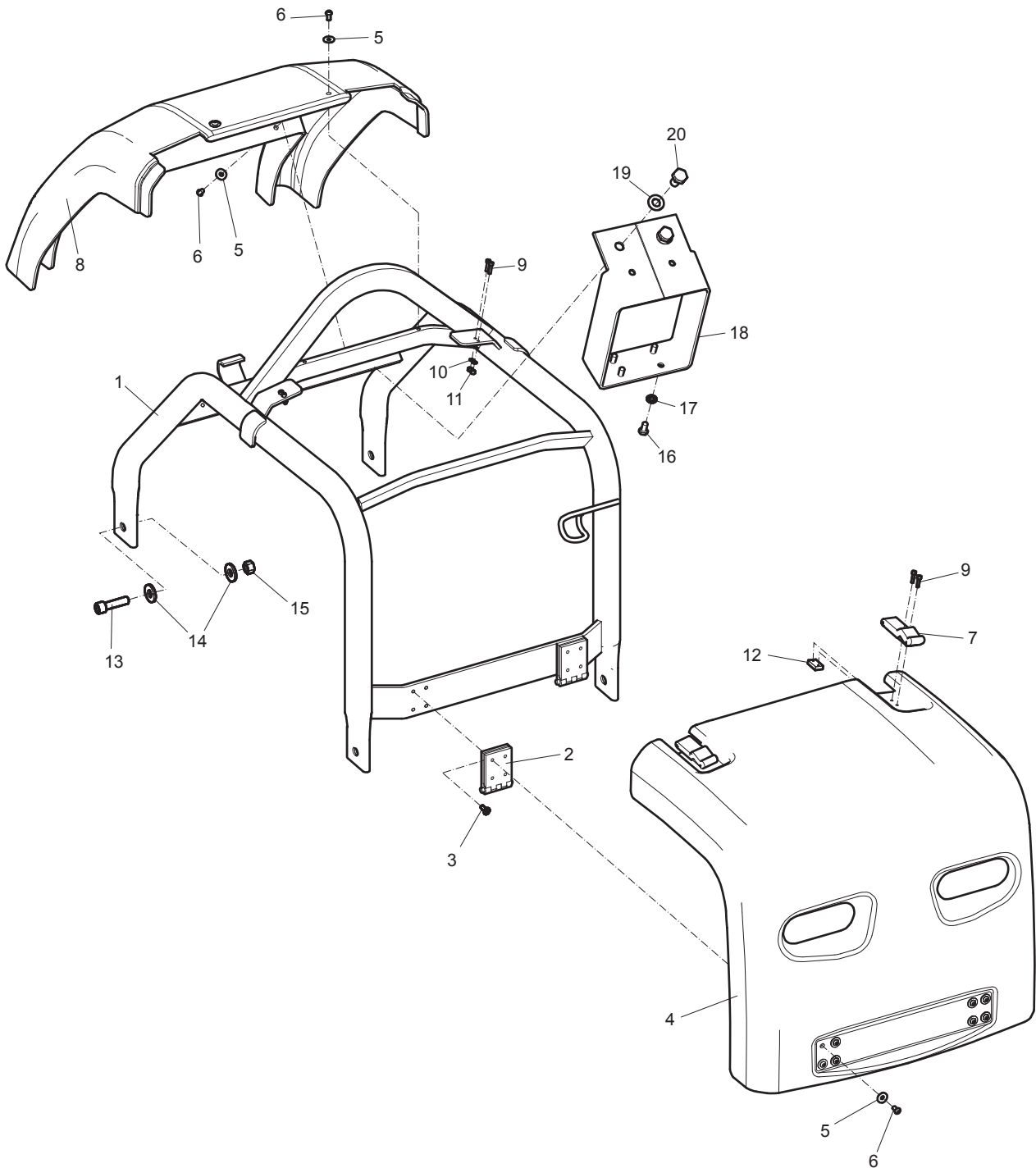
This spare parts list contains no safety regulations and is merely intended to assist in the ordering of spare parts.

For information about operating, servicing, or repairing, the relevant Safety and operating instructions must be consulted at all costs.

Please observe the safety instructions listed in the relevant Safety and operating instructions!

Spare parts list

Frame and hoods

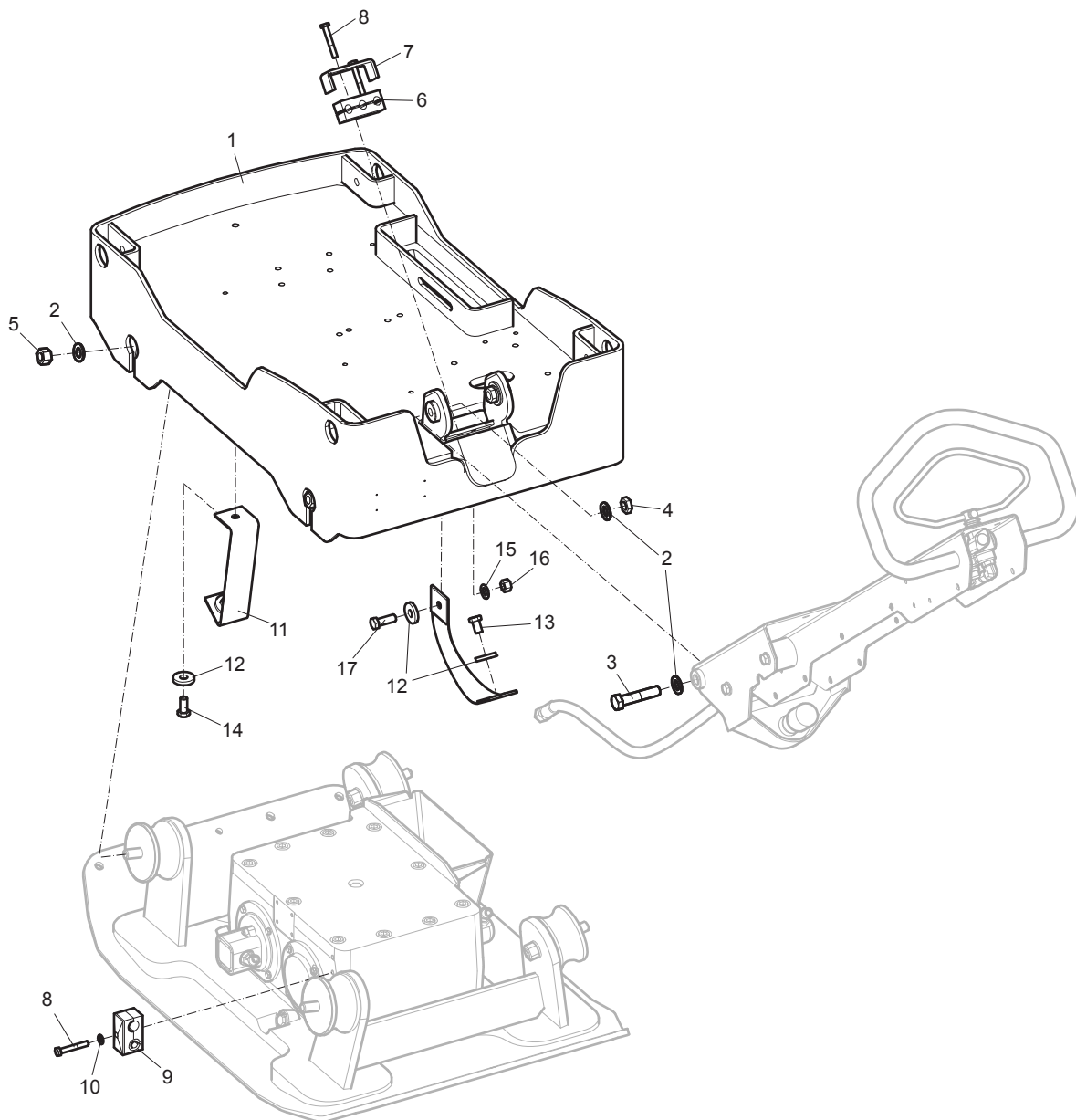


| No. | Description | Remark | Quantity | Part number |
|-----|------------------|---|----------|--------------|
| 1 | Protective frame | | 1 | 3382 0100 53 |
| 2 | Hinge | | 2 | 4700 3818 82 |
| 3 | Screw | M6 x 16 mm A2-70 | 8 | - |
| 4 | Front cover | | 1 | 3382 0100 54 |
| 5 | Washer | 6 x 18 x 2 mm 0.24 x 0.71 x 0.08 in. 300 HV | 12 | - |
| 6 | Screw | M8 x 50 mm 12.9 UNBRAKO® U-130 | 12 | - |
| 7 | Latch | | 2 | 4700 3888 46 |
| 8 | Rear cover | | 1 | 3382 0100 55 |
| 9 | Screw | M4 x 16 mm 8.8 A2K | 8 | - |
| 10 | Washer | 0.17 x 0.31 x 0.8 mm 0.47 x 0.87 x 0.03 in. 300 HV | 4 | - |
| 11 | Nut | M4 ISO7040 | 4 | - |
| 12 | Stop plate | | 2 | 4700 3879 56 |
| 13 | Screw | M12 x 45 mm 12.9 GEOMET® | 1 | 4700 9045 22 |
| 14 | Washer | 13 x 30 x 4 mm 0.51 x 1.18 x 0.16 in. 300 HV | 8 | - |
| 15 | Nut | M12 | 4 | - |
| 16 | Screw | M5 x 10 mm 8.8 A2K | 4 | - |
| 17 | Washer | 5.3 x 10 x 1 mm 0.21 x 0.39 x 0.04 in. 300 HV | 4 | - |
| 18 | Bracket | | 1 | 4700 3972 54 |
| 19 | Washer | 8.4 x 16 x 1.5 mm 0.33 x 0.63 x 0.06 in. 300 HV | 2 | - |
| 20 | Screw | M8 x 16 mm 8.8 A2K | 2 | - |

UNBRAKO is a registered trademark of Deepak Fasteners (Shannon) Limited.

GEOMET is a registered trademark of Nof Metal Coatings North America Inc.

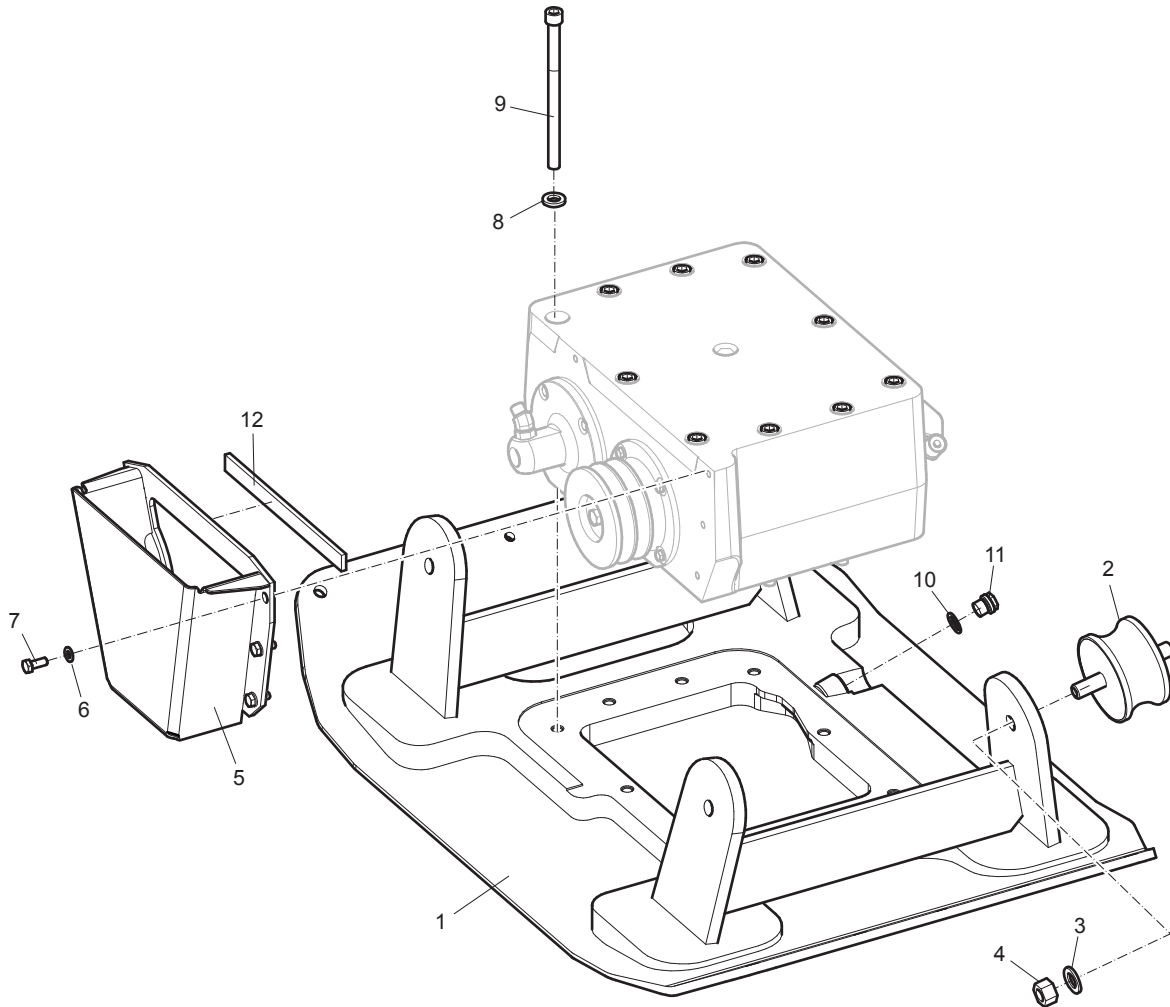
Engine plate



| No. | Description | Remark | Quantity | Part number |
|-----|--------------|--|----------|--------------|
| 1 | Engine plate | | 1 | 3382 0100 56 |
| 2 | Washer | 17 x 30 x 3 mm 0.70 x 1.18 x 0.12 in. 300 HV | 8 | - |
| 3 | Screw | M16 x 75 mm 10.9 GEOMET® | 2 | 4700 9479 43 |
| 4 | Nut | M16 A3K | 2 | 4700 5730 04 |
| 5 | Nut | M16 A3K | 4 | - |
| 6 | Rubber block | | 1 | 4700 2805 34 |
| 7 | Bracket | | 1 | 3382 0101 82 |
| 8 | Screw | M8 x 55 mm 8.8 A2K | 3 | - |
| 9 | Hose holder | | 1 | 4700 3834 58 |
| 10 | Washer | 8.4 x 16 x 1.5 mm 0.33 x 0.63 x 0.06 in. 300 HV | 1 | - |
| 11 | Strap | | 2 | 3382 0100 59 |
| 12 | Washer | 13 x 36 x 6 mm 0.51 x 1.42 x 0.24 in. 300 HV | 4 | - |
| 13 | Screw | M8 x 20 mm 8.8 A2K | 2 | - |
| 14 | Screw | M12 x 25 mm 8.8 A3K | 1 | 4700 5000 51 |
| 15 | Washer | 13 x 24 x 2 mm 0.51 x 0.98 x 0.08 in. 300 HV | 1 | - |
| 16 | Nut | M12 A3K | 1 | - |
| 17 | Screw | M12 x 35 mm 8.8 A3K | 1 | - |

GEOMET is a registered trademark of Nof Metal Coatings North America Inc.

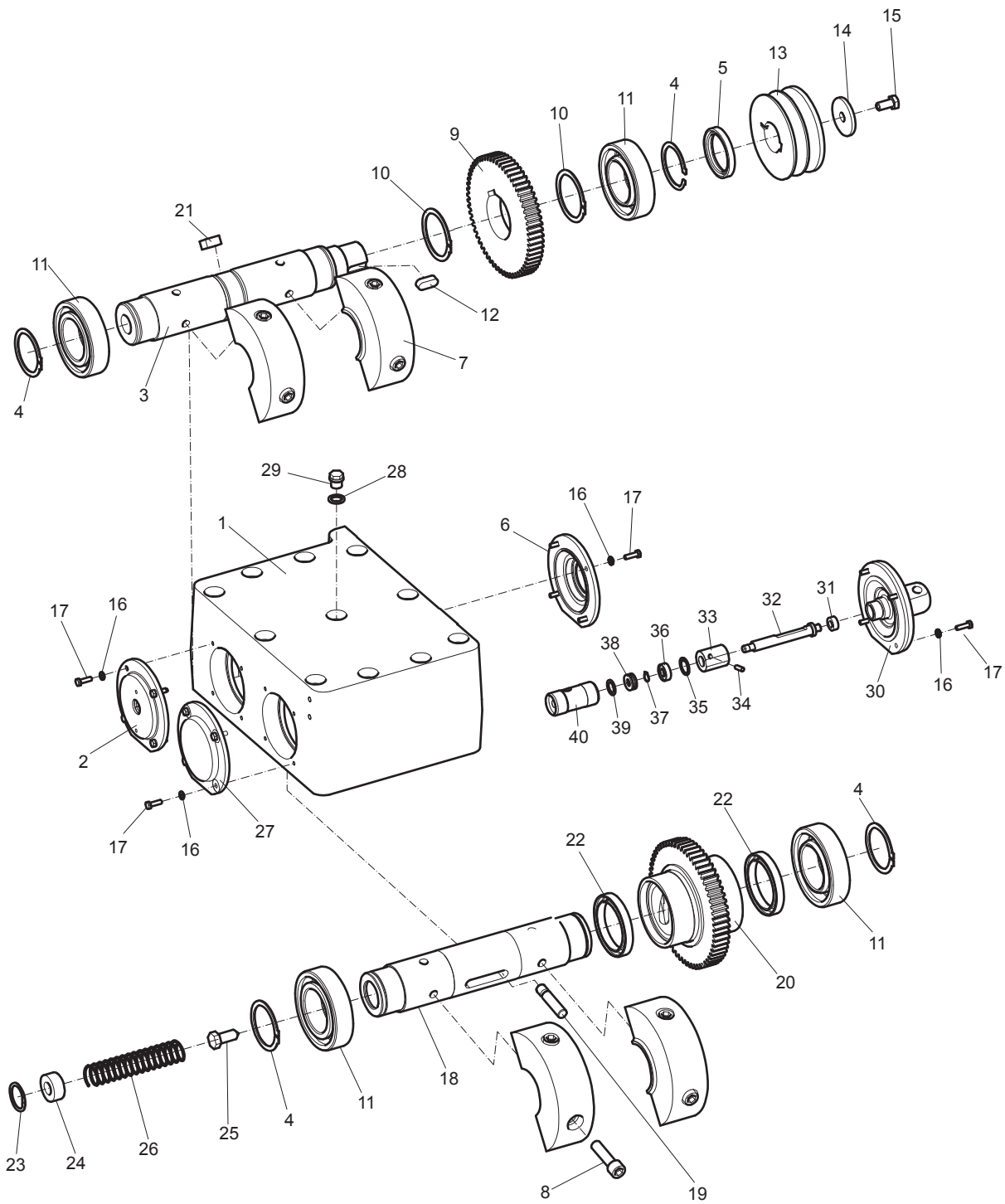
Ground plate and eccentric element installation



| No. | Description | Remark | Quantity | Part number |
|-----|----------------|--|----------|--------------|
| 1 | Ground plate | | 1 | 4812 0702 85 |
| 2 | Shock absorber | | 4 | 4700 2804 54 |
| 3 | Washer | 17 x 30 x 3 mm 0.70 x 1.18 x 0.12 in. 300 HV | 4 | - |
| 4 | Nut | M16 A3K | 4 | - |
| 5 | V-belt cover | | 1 | 4812 0703 55 |
| 6 | Washer | 8.4 x 16 x 1.5 mm 0.33 x 0.63 x 0.06 in. 300 HV | 5 | - |
| 7 | Screw | M8 x 20 mm 8.8 A2K | 5 | - |
| 8 | Washer | 13 x 24 x 6 mm 0.51 x 0.95 x 0.16 in. 300 HV | 10 | 4700 9047 03 |
| 9 | Screw | M10 x 40 mm 12.9 GEOMET® | 10 | 4700 7928 29 |
| 10 | Washer | Sealing | 1 | 4700 1620 11 |
| 11 | Plug | | 1 | 4700 2321 43 |

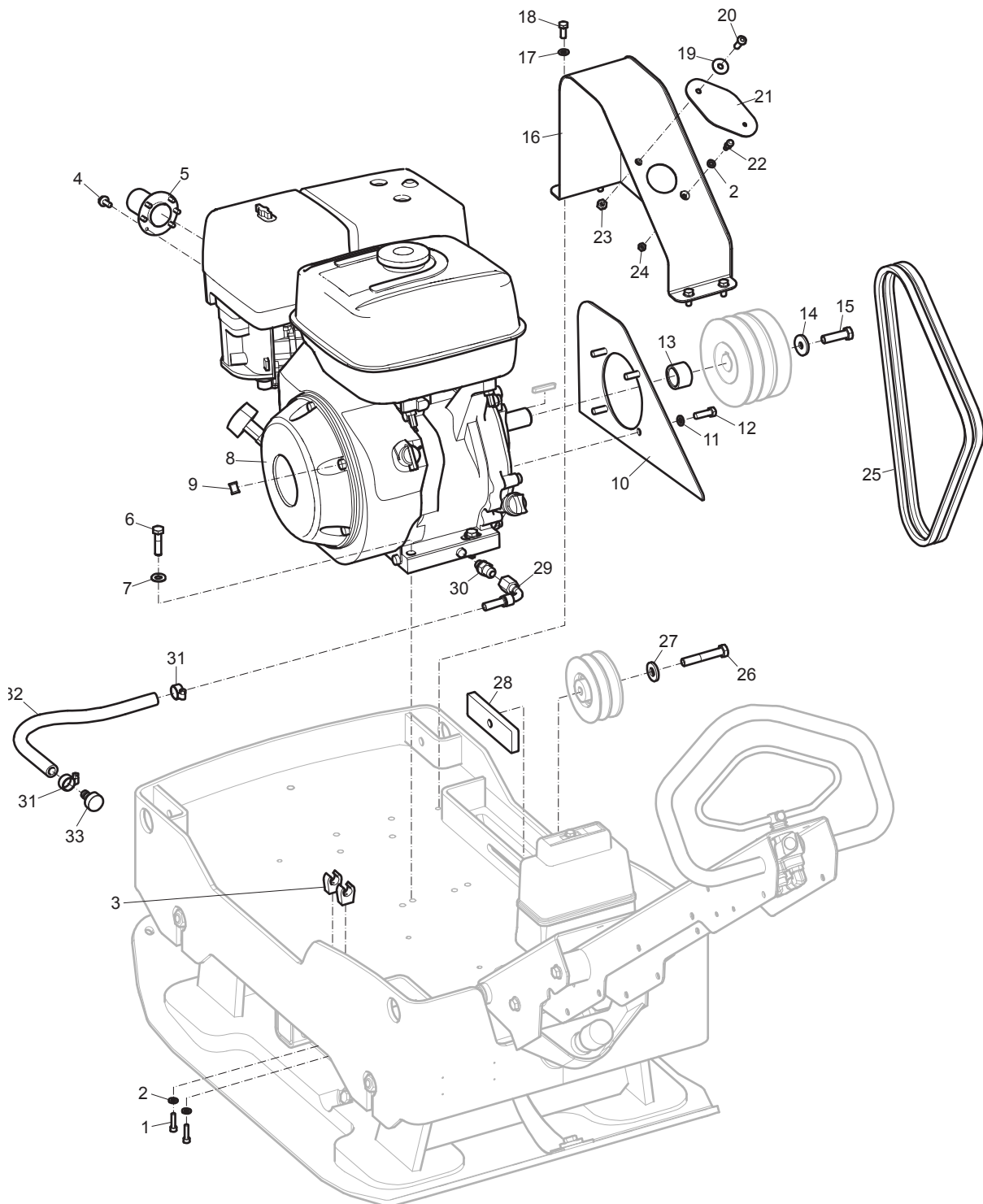
GEOMET is a registered trademark of Nof Metal Coatings North America Inc.

Eccentric element



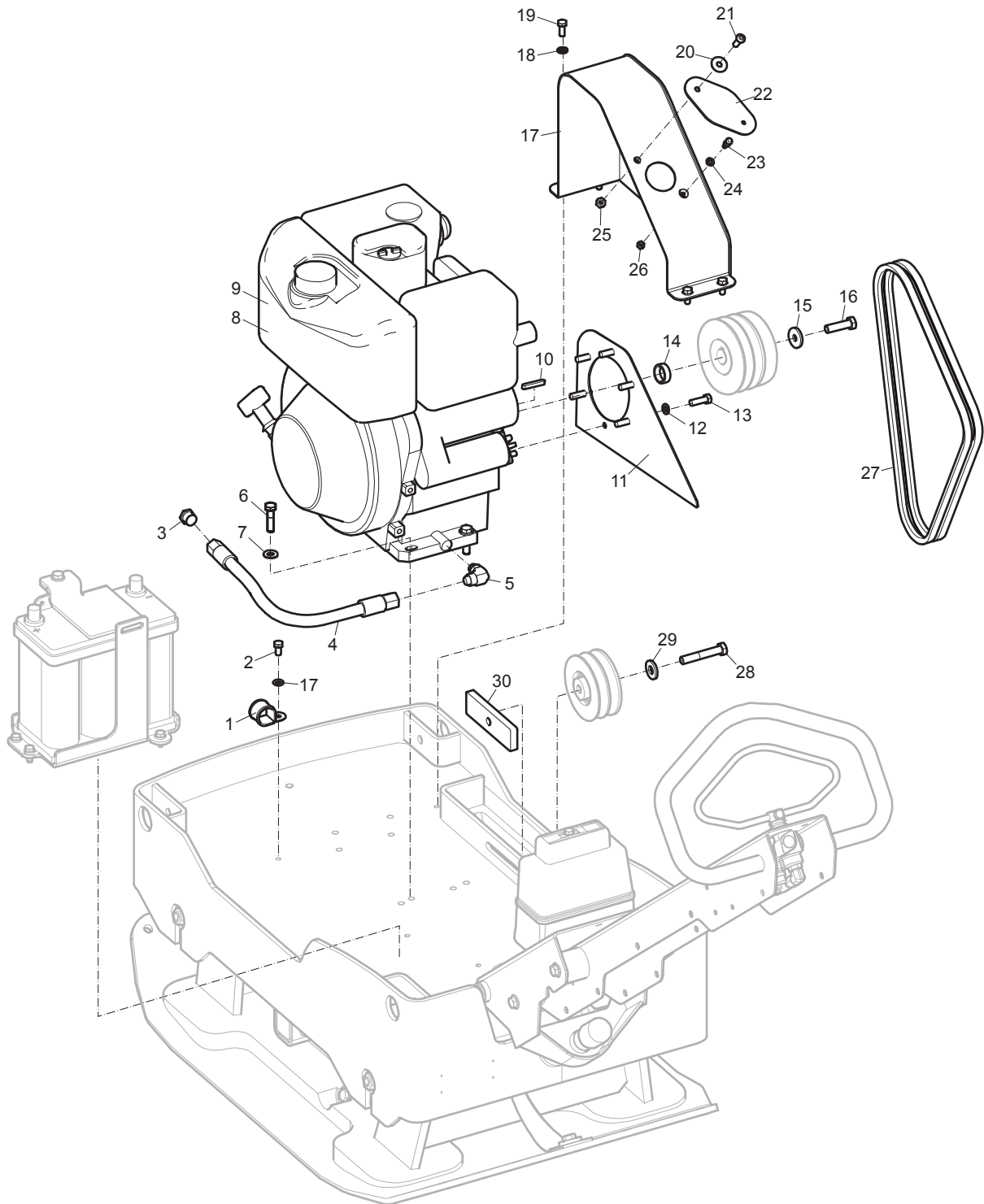
| No. | Description | Remark | Quantity | Part number |
|-----|---------------------|---|----------|--------------|
| 1 | Eccentric housing | | 1 | 4700 3975 20 |
| 2 | Cover | | 1 | 4700 3790 79 |
| 3 | Shaft | | 1 | 4700 3779 86 |
| 4 | Retaining ring | | 4 | 4700 1500 33 |
| 5 | Sealing ring | | 1 | 4700 9287 94 |
| 6 | Cover | | 1 | 4700 3790 80 |
| 7 | Eccentric weight | | 4 | 4700 3975 22 |
| 8 | Screw | M12 x 45 mm 8.8 A3K | 8 | - |
| 9 | Gear | | 1 | 4700 3782 16 |
| 10 | Snap ring | | 2 | 4700 1500 20 |
| 11 | Ball bearing | | 4 | 4700 9287 86 |
| 12 | Key | | 1 | 4700 9287 88 |
| 13 | Pulley | | 1 | 4700 3777 76 |
| 14 | Washer | | 1 | 4700 2804 32 |
| 15 | Screw | M10 x 20 mm 8.8 A3K | 1 | - |
| 16 | Washer | 6.4 x 12 x 1.5 mm 0.25 x 0.47 x 0.06 in. 300 HV | 16 | - |
| 17 | Screw | M6 x 20 mm 8.8 A2K | 16 | - |
| 18 | Eccentric weight | | 1 | 4812 0700 73 |
| 19 | Pin | | 1 | 4700 2804 42 |
| 20 | Reverser | | 1 | 4812 0700 93 |
| 21 | Key | | 1 | 4700 2804 50 |
| 22 | Ball bearing | | 2 | 4700 9287 96 |
| 23 | Retaining ring | | 1 | 4700 9287 87 |
| 24 | Stop | | 1 | 4700 2804 48 |
| 25 | Stop screw | | 1 | 4700 2804 49 |
| 26 | Spring | | 1 | 4700 9287 98 |
| 27 | Cover | | 1 | 4700 3790 81 |
| 28 | Washer | 16.7 x 24 x 1.5 mm Type A M16 0.66 x 4.88 x 0.06 in. | 1 | - |
| 29 | Plug | | 1 | 4700 2321 43 |
| 30 | Hydraulic cylinder | | 1 | 4812 0700 42 |
| 31 | Sealing ring | | 1 | 4700 2812 76 |
| 32 | Piston rod | | 1 | 4812 0700 44 |
| 33 | Cap | | 1 | 4812 0700 43 |
| 34 | Spring pin | | 1 | 4700 6290 62 |
| 35 | Retaining ring | | 1 | 4700 1510 39 |
| 36 | Ball bearing | | 1 | 4812 0703 59 |
| 37 | Retaining ring | | 1 | 4700 1500 02 |
| 38 | Thrust ball bearing | | 1 | 4812 0703 62 |
| 39 | Spring washer | | 1 | 4812 0703 63 |
| 40 | Piston | | 1 | 4812 0700 52 |

Engine installation, Honda



| No. | Description | Remark | Quantity | Part number |
|-----|--------------------|--|----------|--------------|
| 1 | Screw | M6 x 25 mm 8.8 A2K | 2 | - |
| 2 | Washer | 6.4 x 12 x 1.5 mm 0.25 x 0.47 x 0.06 in. 300 HV | 3 | - |
| 3 | Ryw-clips | | 2 | 4700 2812 34 |
| 4 | Screw | M4 x 10 A2K | 6 | - |
| 5 | Exhaust pipe | | 1 | 4700 3974 76 |
| 6 | Screw | M10 x 40 mm 8.8 A3K | 4 | - |
| 7 | Steel plain washer | 10.5 x 22 x 2 mm 0.41 x 0.87 x 0.08 in. 300 HV | 4 | - |
| 8 | Engine | Honda GX390 UTI SWA4 SD | 1 | 4700 3975 29 |
| 9 | Clamp | | 2 | 4700 9210 65 |
| 10 | Belt guard | Inner | 1 | 4812 0701 92 |
| 11 | Washer | 8.4 x 16 x 1.5 mm 0.33 x 0.63 x 0.06 in. 300 HV | 4 | - |
| 12 | Screw | M8 x 20 mm 8.8 A2K | 4 | - |
| 13 | Spacer | | 1 | 4812 0702 23 |
| 14 | Washer | | 1 | 4811 0001 08 |
| 15 | Screw | M8 x 30 mm | 1 | - |
| 16 | V-belt cover | | 1 | 3382 0100 52 |
| 17 | Washer | 8.4 x 16 x 1.5 mm 0.33 x 0.63 x 0.06 in. 300 HV | 4 | - |
| 18 | Screw | M8 x 20 mm 8.8 A2K | 4 | - |
| 19 | Washer | 8.4 x 25 x 2 mm 0.33 x 0.99 x 0.08 in. 300 HV | 1 | - |
| 20 | Screw | M8 x 25 mm A2-70 | 1 | 4700 9046 54 |
| 21 | Rubber protection | | 1 | 4700 3972 82 |
| 22 | Ball joint | M6 DIN 71803 | 1 | 4700 7928 24 |
| 23 | Nut | M8 A2K | 1 | - |
| 24 | Nut | M6 A2K | 1 | - |
| 25 | V-belt | | 2 | 4812 0704 78 |
| 26 | Screw | M12 x 70 mm 8.8 A3K | 1 | - |
| 27 | Washer | 13 x 30 x 4 mm 0.51 x 1.18 x 0.16 in. 300 HV | 1 | - |
| 28 | Holder | | 1 | 4700 3972 81 |
| 29 | Connector | | 1 | 4700 7920 99 |
| 30 | Connector | | 1 | 4700 9032 68 |
| 31 | Hose clamp | 11-18 x 9 mm 0.43 -0.71 x 0.35 in. | 2 | 4700 3130 01 |
| 32 | Hose | | 1 | 3382 0101 86 |
| 33 | Plug | | 1 | 3382 0101 80 |

Engine installation, Lombardini

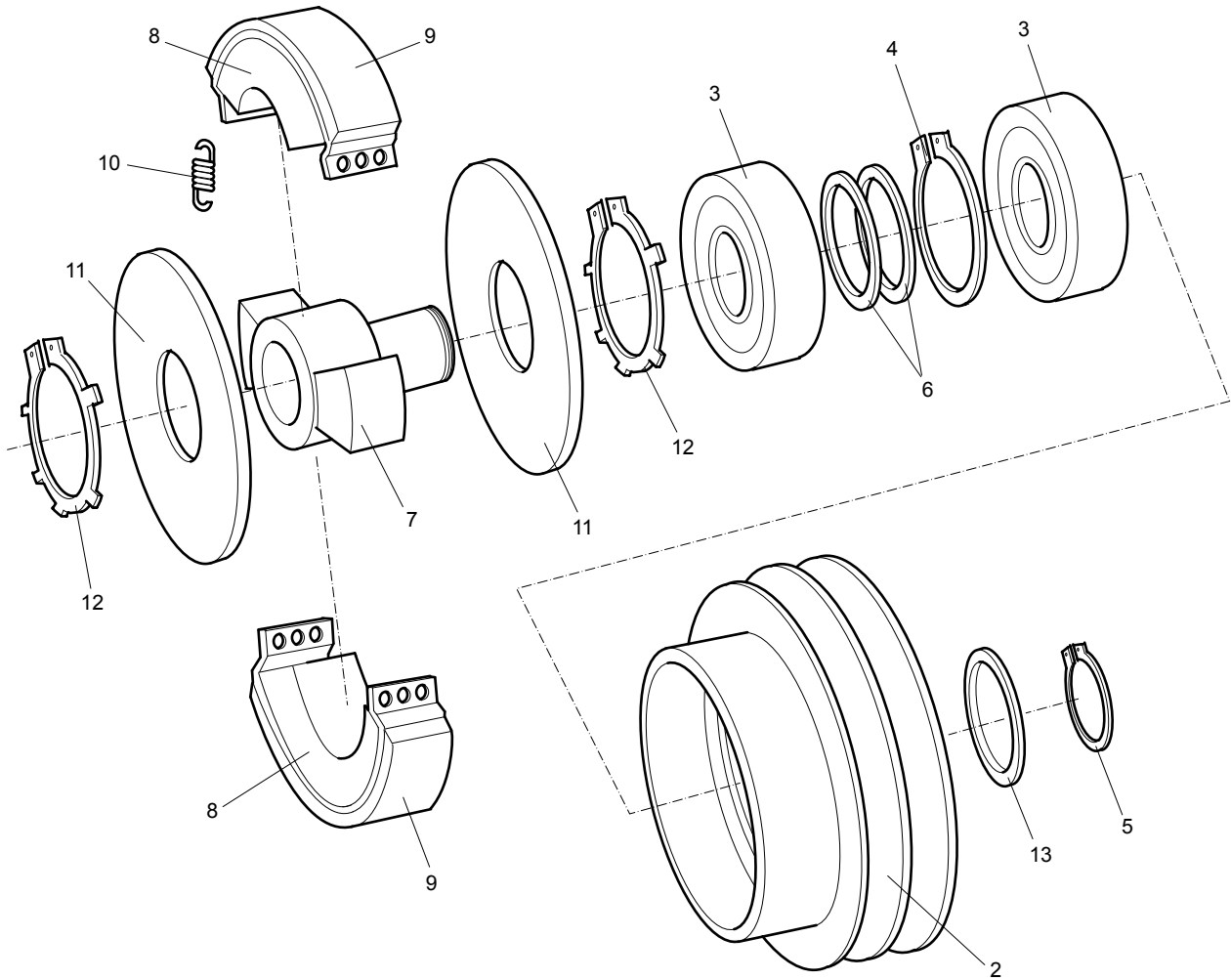


| No. | Description | Remark | Quantity | Part number |
|-----|--------------------|--|----------|--------------|
| 1 | Clamp | 28 x 8.4 x 20 mm 1.10 x 0.33 x 0.79 in. | 1 | 4700 9210 44 |
| 2 | Screw | M8 x 16 mm 8.8 A2K | 1 | - |
| 3 | Plug | | 1 | 4700 2320 95 |
| 4 | Hydraulic hose | | 1 | 4700 4821 98 |
| 5 | Elbow | | 1 | 4700 9049 79 |
| 6 | Screw | M10 x 40 mm 8.8 A3K | 4 | - |
| 7 | Steel plain washer | 10.5 x 22 x 2 mm 0.41 x 0.87 x 0.08 in. 300 HV | 4 | - |
| 8 | Engine | Lombardini 15LD440, Only for US-market | 1 | 4812 0703 34 |
| 9 | Engine | Lombardini 15LD440 | 1 | 4700 3975 30 |
| 10 | Key | | 1 | 4700 3501 11 |
| 11 | Belt guard | | 1 | 4812 0701 93 |
| 12 | Washer | 8.4 x 16 x 1.5 mm 0.33 x 0.63 x 0.06 in. 300 HV | 6 | - |
| 13 | Screw | M8 x 20 mm 8.8 A2K | 6 | - |
| 14 | Spacer | | 1 | 4700 3975 32 |
| 15 | Washer | 10.5 x 34 x 4 mm GEOMET® 0.41 x 1.34 x 0.16 in | 1 | 4811 0001 26 |
| 16 | Screw | 3/8-24 UNF x 1.26 in. 8.8 | 1 | 4700 5030 25 |
| 17 | V-belt cover | | 1 | 3382 0100 52 |
| 18 | Washer | 8.4 x 16 x 1.5 mm 0.33 x 0.63 x 0.06 in. 300 HV | 5 | - |
| 19 | Screw | M8 x 20 mm 8.8 A2K | 4 | - |
| 20 | Washer | 8.4 x 25 x 2 mm 0.33 x 0.99 x 0.08 in. 300 HV | 1 | - |
| 21 | Screw | M8 x 25 mm A2-70 | 1 | - |
| 22 | Rubber protection | | 1 | 4700 3972 82 |
| 23 | Ball joint | M6 DIN 71803 | 1 | 4700 7928 24 |
| 24 | Washer | 6.4 x 12 x 1.5 mm 0.25 x 0.47 x 0.06 in. 300 HV | 1 | - |
| 25 | Nut | M8 A2K | 1 | - |
| 26 | Nut | M6 A2K | 1 | - |
| 27 | V-belt | | 2 | 4700 2813 70 |
| 28 | Screw | M12 x 70 mm 8.8 A3K | 1 | - |
| 29 | Washer | 13 x 30 x 4 mm 0.51 x 1.18 x 0.16 in. 300 HV | 1 | - |
| 30 | Holder | | 1 | 4700 3972 81 |

GEOMET is a registered trademark of Nof Metal Coatings North America Inc.

Centrifugal clutch, Honda

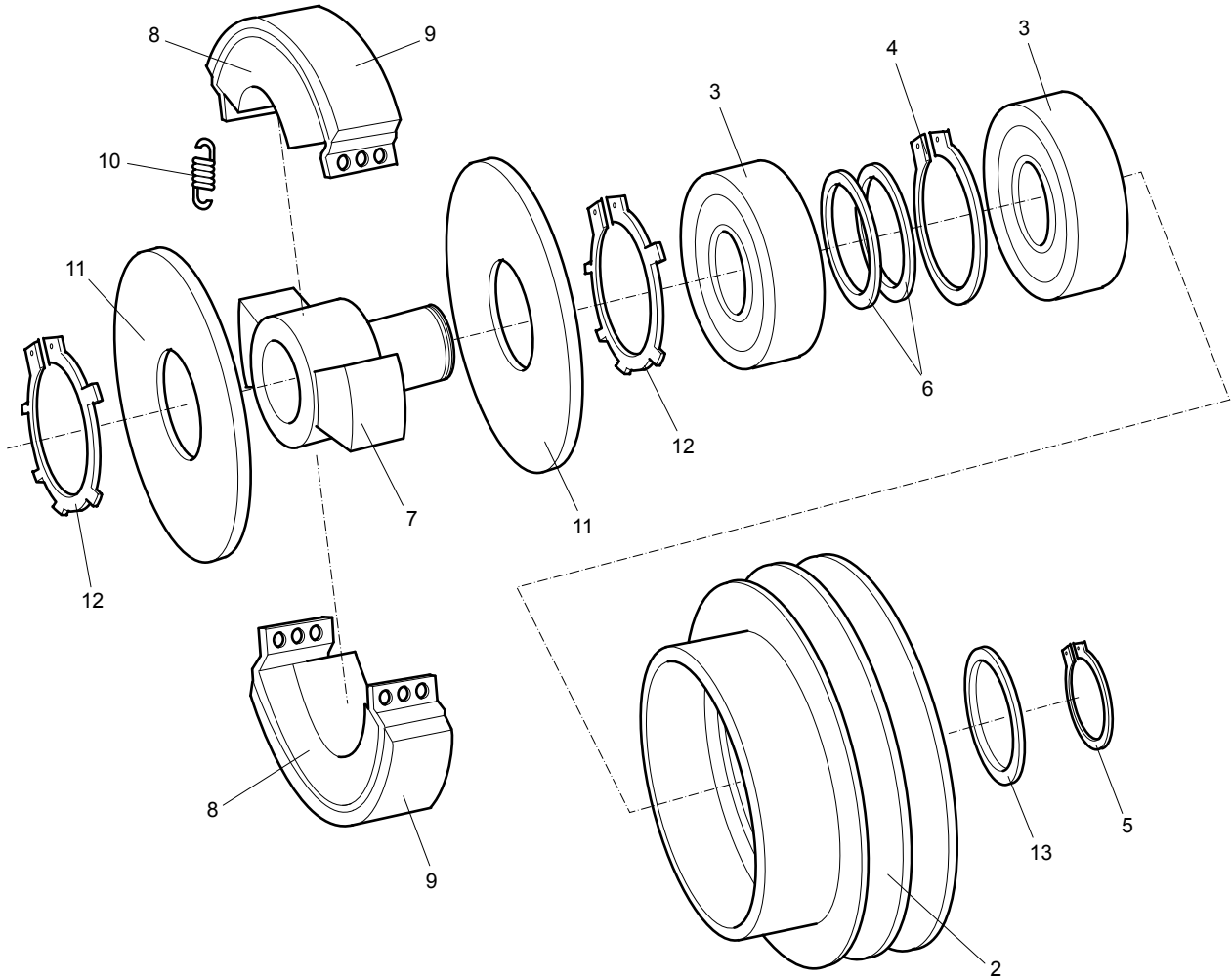
| | | | | | | | | | | | | |
|----------|---|---|---|---|---|---|---|----|----|----|----|--|
| 1 | | | | | | | | | | | | |
| 2 | 3 | 4 | 5 | 6 | 7 | 8 | 9 | 10 | 11 | 12 | 13 | |



| No. | Description | Remark | Quantity | Part number |
|---------|------------------------------|--------|----------|--------------|
| 1(2-13) | Centrifugal clutch, complete | | 1 | 4812 0701 97 |
| 2 | V-belt pulley | | 1 | 4812 1558 77 |
| 3 | Ball bearing | | 2 | 4700 9458 02 |
| 4 | Retaining ring | | 1 | 4700 9458 10 |
| 5 | Retaining ring | | 1 | 4700 9356 35 |
| 6 | Shim | | 2 | 4700 9458 11 |
| 7 | Hub | | 1 | 4812 1558 76 |
| 8 | Weight | | 2 | 4700 9458 13 |
| 9 | Lining | | 2 | 4700 2382 06 |
| 10 | Spring | | 4 | 4812 1558 74 |
| 11 | Cover | | 2 | 4700 9458 14 |
| 12 | Retaining ring | | 2 | 4700 9458 15 |
| 13 | Shim | | 1 | 4700 9458 16 |

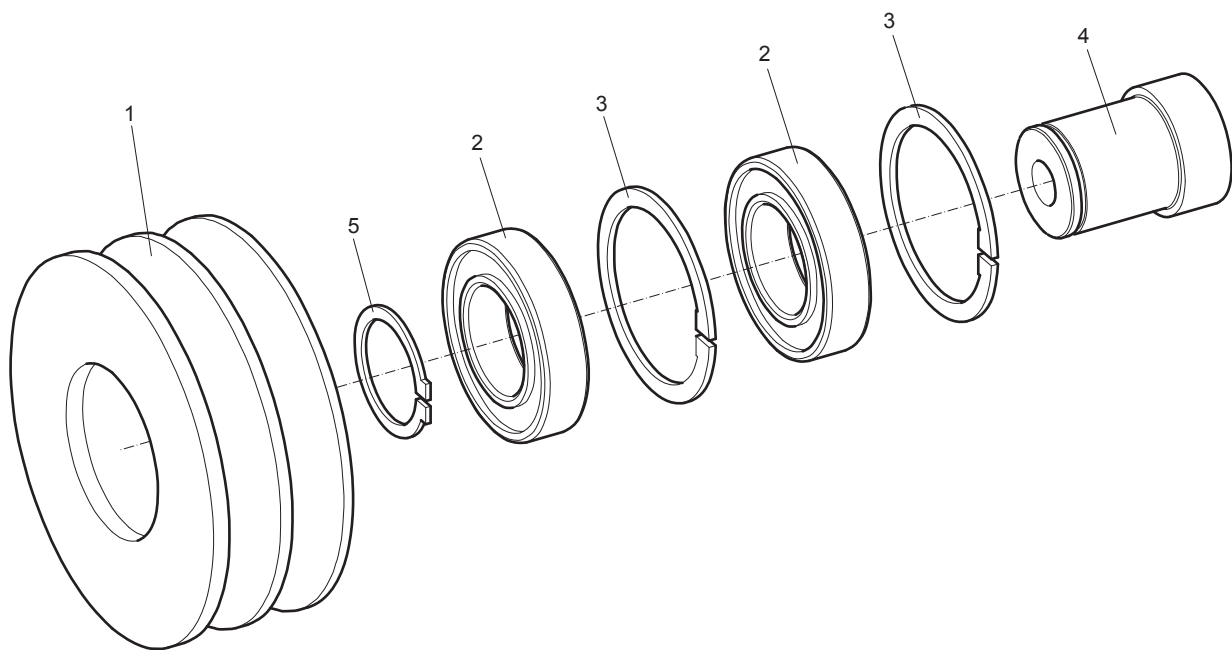
Centrifugal clutch, Lombardini

| | | | | | | | | | | | | |
|----------|---|---|---|---|---|---|---|----|----|----|----|--|
| 1 | | | | | | | | | | | | |
| 2 | 3 | 4 | 5 | 6 | 7 | 8 | 9 | 10 | 11 | 12 | 13 | |



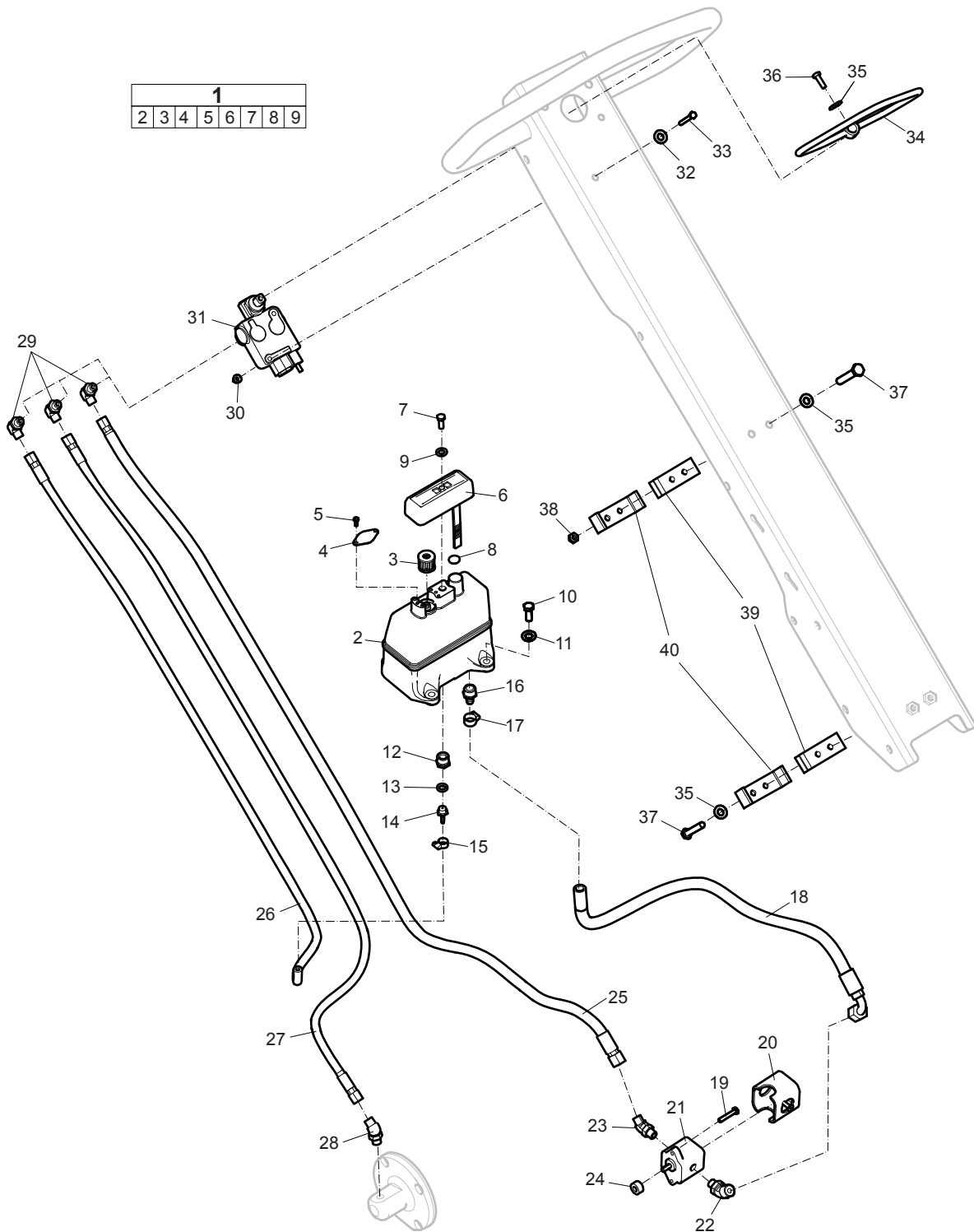
| No. | Description | Remark | Quantity | Part number |
|---------|------------------------------|--------|----------|--------------|
| 1(2-13) | Centrifugal clutch, complete | | 1 | 4812 0701 94 |
| 2 | V-belt pulley | | 1 | 4812 1558 77 |
| 3 | Ball bearing | | 2 | 4700 9458 02 |
| 4 | Retaining ring | | 1 | 4700 9458 10 |
| 5 | Retaining ring | | 1 | 4700 9356 35 |
| 6 | Shim | | 2 | 4700 9458 11 |
| 7 | Hub | | 1 | 4812 1558 75 |
| 8 | Weight | | 2 | 4700 9458 13 |
| 9 | Lining | | 2 | 4700 2382 06 |
| 10 | Spring | | 4 | 4812 1558 74 |
| 11 | Cover | | 2 | 4700 9458 14 |
| 12 | Retaining ring | | 2 | 4700 9458 15 |
| 13 | Shim | | 1 | 4700 9458 16 |

Belt tightner



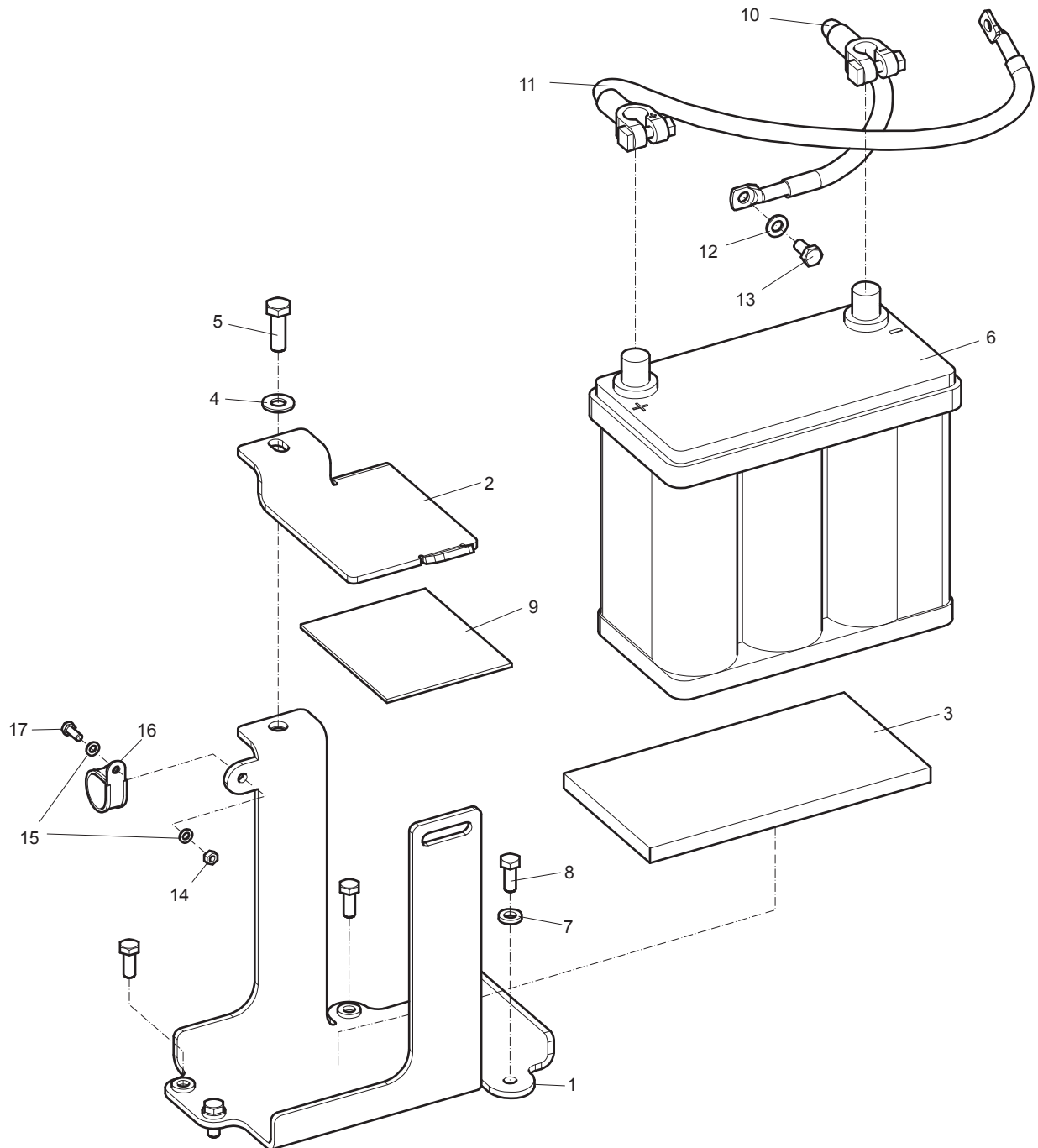
| No. | Description | Remark | Quantity | Part number |
|-----|----------------|--------|----------|--------------|
| 1 | V-belt pulley | | 1 | 4700 3805 17 |
| 2 | Ball bearing | | 2 | 4700 1111 80 |
| 3 | Retaining ring | | 2 | 4700 1510 19 |
| 4 | Shaft | | 1 | 4700 3972 80 |
| 5 | Retaining ring | | 1 | 4700 1500 12 |

Hydraulic system



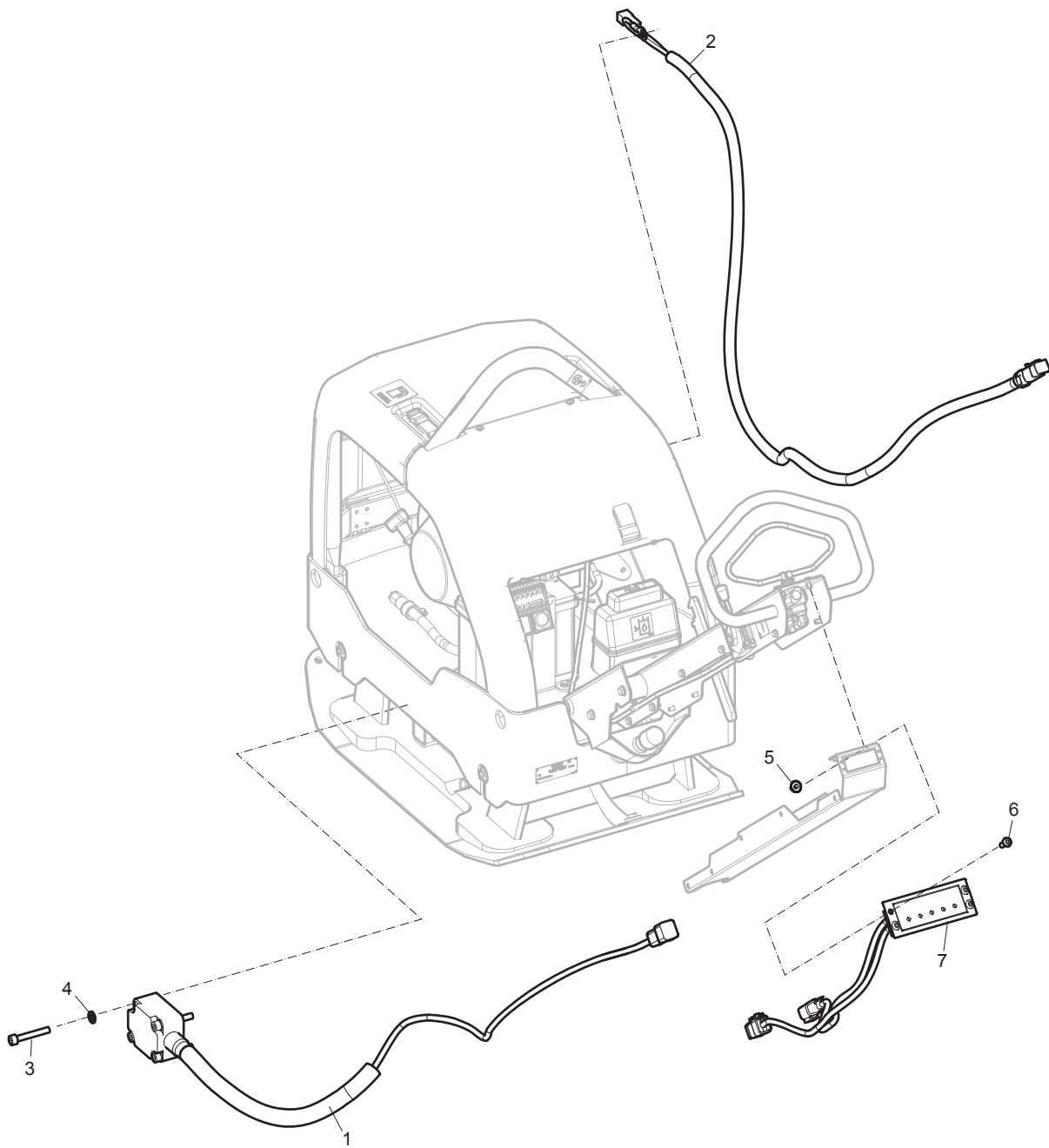
| No. | Description | Remark | Quantity | Part number |
|--------|-------------------------------------|---|----------|--------------|
| 1(2-9) | Hydraulic oil tank, complete | | 1 | 4700 3766 77 |
| 2 | Tank | | 1 | - |
| 3 | Air filter | | 1 | 4700 3815 66 |
| 4 | Holder | | 1 | 4700 3815 63 |
| 5 | Screw | K50 x 12 mm Type KX-PT | 2 | - |
| 6 | Cover | | 1 | 4700 3813 85 |
| 7 | Screw | M8 x 25 mm 8.8 A2K | 1 | - |
| 8 | O-ring | 15.3 x 2.4 mm 0.64 x 0.09 in. (Shore 70) | 1 | 4700 1601 10 |
| 9 | Washer | 8.4 x 16 x 1.5 mm 0.33 x 0.63 x 0.06 in. 300 HV | 1 | - |
| 10 | Screw | M10 x 30 mm 8.8 A3K | 4 | 4700 5000 29 |
| 11 | Washer | 10.5 x 22 x 2 mm 0.41 x 0.87 x 0.08 in. 300 HV | 4 | - |
| 12 | Reducer | | 1 | 4700 3830 39 |
| 13 | Washer | 13.3 x 18.9 x 1.5 mm 0.52 x 0.74 x 0.06 in. Copper | 1 | - |
| 14 | Hose coupling | | 1 | 4700 3833 53 |
| 15 | Hose clamp | | 1 | 4700 3131 08 |
| 16 | Hose coupling | | 1 | 4700 3830 38 |
| 17 | Hose clamp | | 1 | 4700 3130 03 |
| 18 | Hydraulic hose | | 1 | 4700 3780 29 |
| 19 | Screw | M6 x 20 mm 8.8 A2K | 2 | - |
| 20 | Cover | | 1 | 4700 2805 40 |
| 21 | Hydraulic pump | | 1 | 4700 3835 62 |
| 22 | Elbow | | 1 | 4700 7922 53 |
| 23 | Elbow connector | 45° | 1 | 4700 7924 43 |
| 24 | Sleeve | | 1 | 4700 9288 94 |
| 25 | Hydraulic hose | Connected to port "A" | 1 | 4811 0001 04 |
| 26 | Hydraulic hose | Connected to port "T" | 1 | 4700 3952 12 |
| 27 | Hydraulic hose | Connected to port "P" | 1 | 4811 0001 05 |
| 28 | Elbow connector | 45° | 1 | 4700 7924 43 |
| 29 | Elbow | 90°, O-ring | 3 | 4700 7913 97 |
| 30 | Nut | M6 x 1 mm A2K | 2 | - |
| 31 | Valve | | 1 | 4700 2813 75 |
| 32 | Washer | 6.4 x 12 x 1.5 mm 0.25 x 0.47 x 0.06 in. 300 HV | 2 | - |
| 33 | Screw | M6 x 50 mm 8.8 A2K | 2 | - |
| 34 | Control lever | | 1 | 4812 0700 25 |
| 35 | Washer | 8.4 x 16 x 1.5 mm 0.33 x 0.63 x 0.06 in. 300 HV | 5 | - |
| 36 | Screw | M8 x 25 mm 8.8 A2K | 1 | - |
| 37 | Screw | M8 x 50 mm 8.8 A2K | 4 | - |
| 38 | Lock nut | M8 | 2 | - |
| 39 | Rubber block | | 2 | 4700 2805 34 |
| 40 | Bracket | | 2 | 3382 0101 82 |

Battery installation



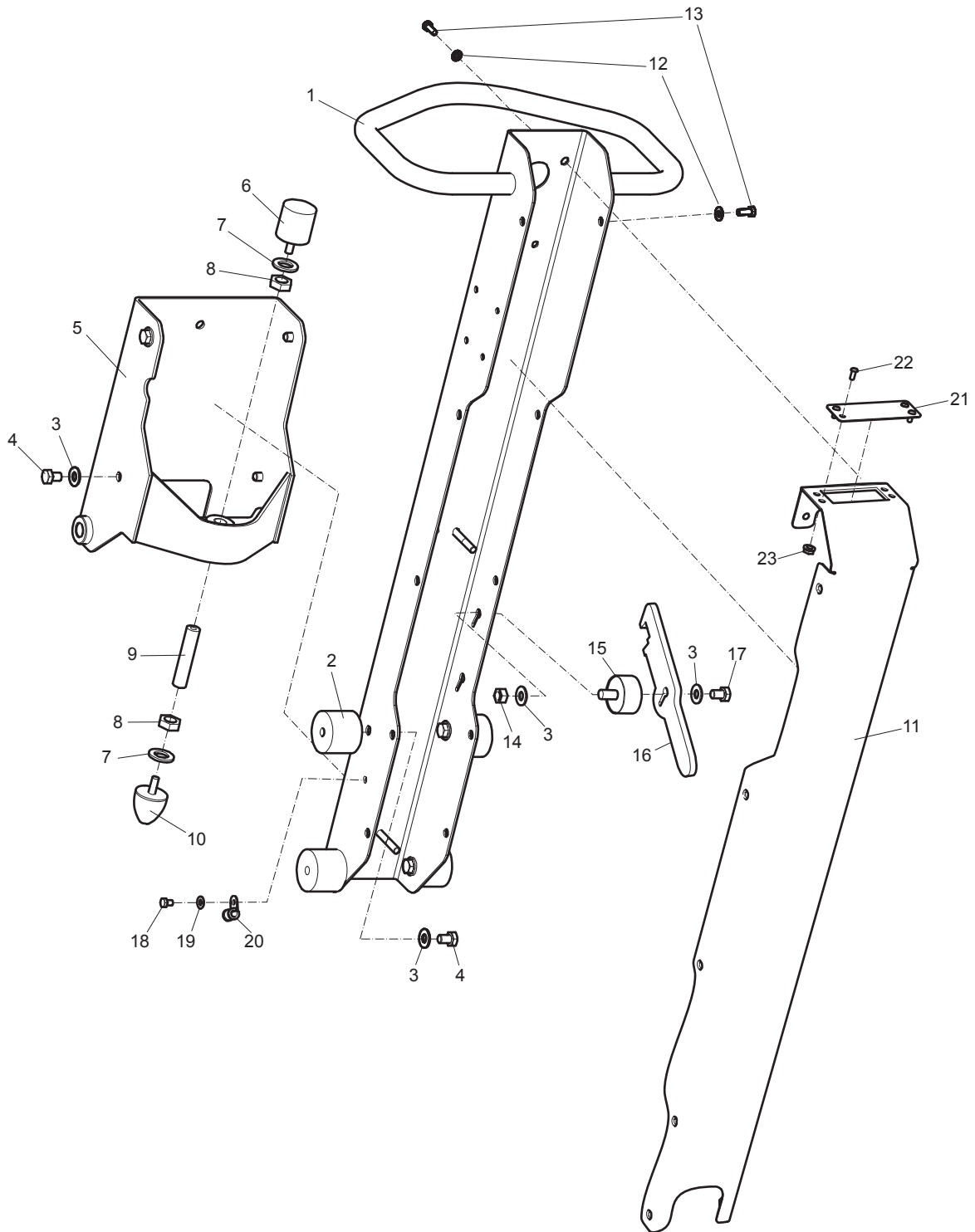
| No. | Description | Remark | Quantity | Part number |
|-----|---------------|--|----------|--------------|
| 1 | Holder | | 1 | 4700 3958 79 |
| 2 | Bracket | | 1 | 4700 3958 78 |
| 3 | Insulation | | 1 | 4700 3956 87 |
| 4 | Washer | 10.5 x 22 x 2 mm 0.41 x 0.87 x 0.08 in. 300 HV | 1 | - |
| 5 | Screw | M10 x 30 mm 8.8 A3K | 1 | - |
| 6 | Battery | | 1 | 4700 3787 19 |
| 7 | Washer | 8.4 x 16 x 3 mm 0.33 x 0.63 x 0.12 in. 300 HV | 4 | - |
| 8 | Screw | M8 x 20 mm 8.8 A2K | 4 | - |
| 9 | Rubber cloth | | 1 | 4700 3959 98 |
| 10 | Battery cable | Connected to negative terminal of battery | 1 | 4700 7928 31 |
| 11 | Battery cable | Connected to positive terminal of battery | 1 | 4700 7928 30 |
| 12 | Washer | 8.4 x 16 x 1.5 mm 0.33 x 0.63 x 0.06 in. 300 HV | 1 | - |
| 13 | Screw | M8 x 16 mm 8.8 A2K | 1 | - |
| 14 | Nut | M8 A2K | 1 | - |
| 15 | Washer | 6.4 x 12 x 1.5 mm 0.25 x 0.47 x 0.06 in. 300 HV | 2 | - |
| 16 | Pipe clamp | | 1 | 4700 9210 84 |
| 17 | Screw | M6 x 16 mm 8.8 A2K | 1 | - |

Compaction indicator



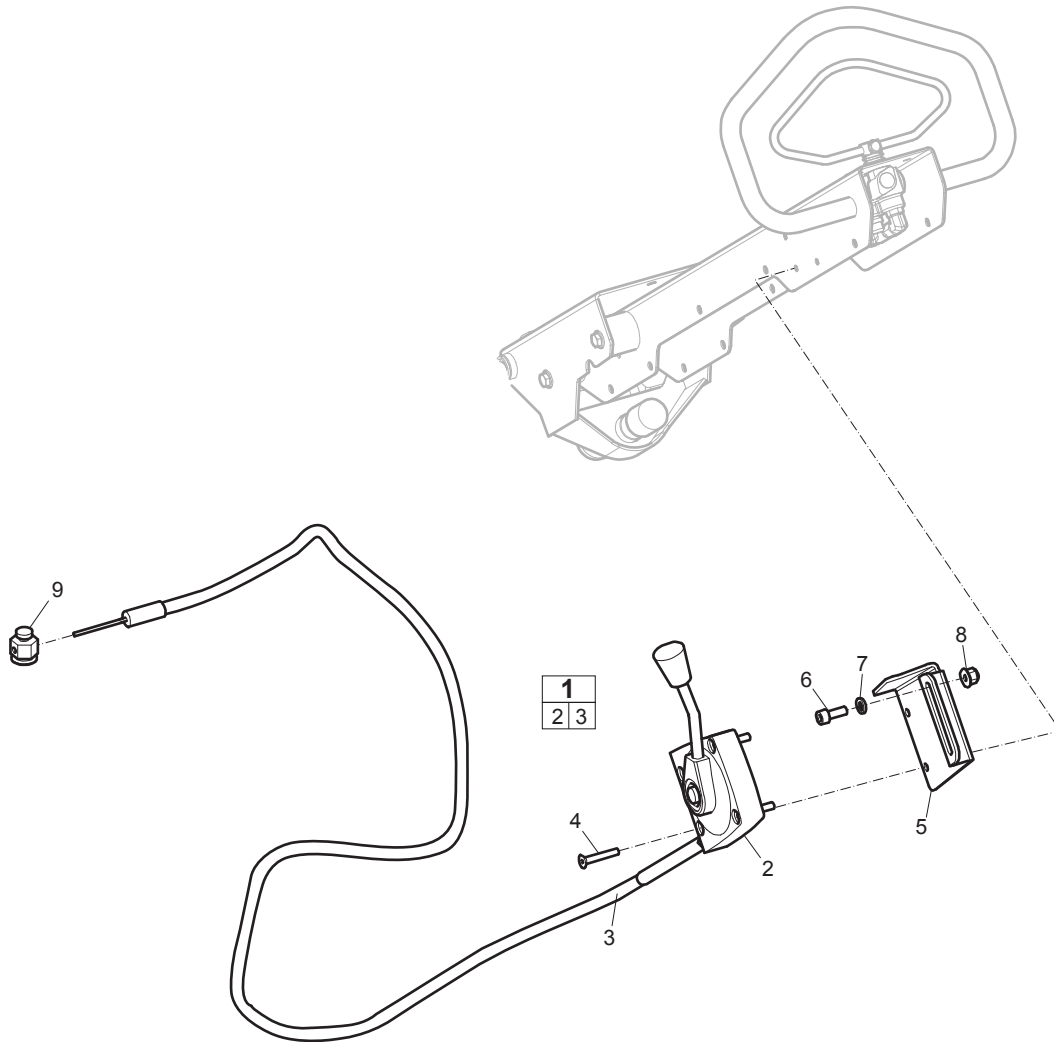
| No. | Description | Remark | Quantity | Part number |
|-----|----------------|--|----------|--------------|
| 1 | Measure unit | | 1 | 4812 0703 76 |
| 2 | Wiring harness | | 1 | 4812 0703 75 |
| 3 | Screw | M6 x 40 mm 8.8 A2K | 4 | - |
| 4 | Washer | 6.4 x 12 x 1.5 mm 0.25 x 0.47 x 0.06 in. 300 HV | 4 | - |
| 5 | Nut | M5 A2K | 4 | - |
| 6 | Screw | M5 x 14 A2-70 | 4 | - |
| 7 | Display unit | | 1 | 4812 0703 77 |

Handle



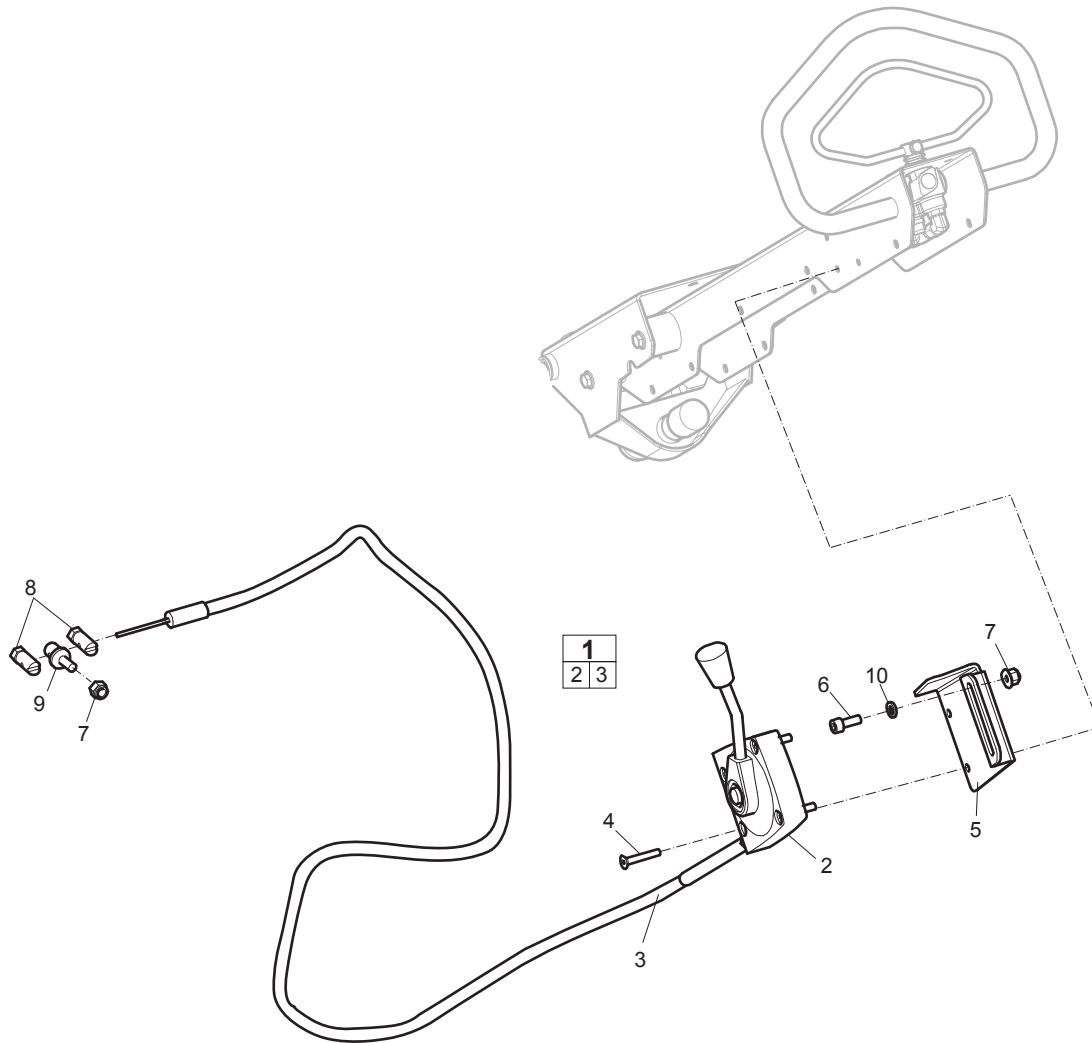
| No. | Description | Remark | Quantity | Part number |
|-----|--------------------|--|----------|--------------|
| 1 | Handle | | 1 | 3382 0100 57 |
| 2 | Shock absorber | | 4 | 3382 0101 83 |
| 3 | Steel plain washer | 10.5 x 22 x 2 mm 0.41 x 0.87 x 0.08 in. 300 HV | 10 | - |
| 4 | Screw | M10 x 14 mm 8.8 A3K | 8 | - |
| 5 | Bracket | | 1 | 3382 0100 58 |
| 6 | Shock absorber | | 1 | 4700 7928 32 |
| 7 | Washer | 17 x 30 x 3 mm 0.70 x 1.18 x 0.12 in. 300 HV | 2 | - |
| 8 | Nut | M16 A3K | 2 | 4700 5730 04 |
| 9 | Stud | | 1 | 4700 3975 83 |
| 10 | Shock absorber | | 1 | 4700 7928 32 |
| 11 | Cover | | 1 | 4700 3975 40 |
| 12 | Washer | 8.4 x 16 x 1.5 mm 0.33 x 0.63 x 0.06 in. 300 HV | 12 | - |
| 13 | Screw | M8 x 16 mm 8.8 A2K | 12 | - |
| 14 | Nut | M10 A3K | 1 | - |
| 15 | Shock absorber | | 1 | 4700 3853 87 |
| 16 | Hook | | 1 | 4700 3790 04 |
| 17 | Screw | M10 x 20 mm 8.8 A3K | 1 | - |
| 18 | Screw | M6 x 12 mm 8.8 A2K | 1 | - |
| 19 | Washer | 6.4 x 12 x 1.5 mm 0.25 x 0.47 x 0.06 in. 300 HV | 1 | - |
| 20 | Clamp | | 1 | 4700 9210 65 |
| 21 | Cover | | 1 | 4812 0703 18 |
| 22 | Screw | M5 x 14 A2-70 | 4 | - |
| 23 | Nut | M5 A2K | 1 | - |

Throttle control, Honda



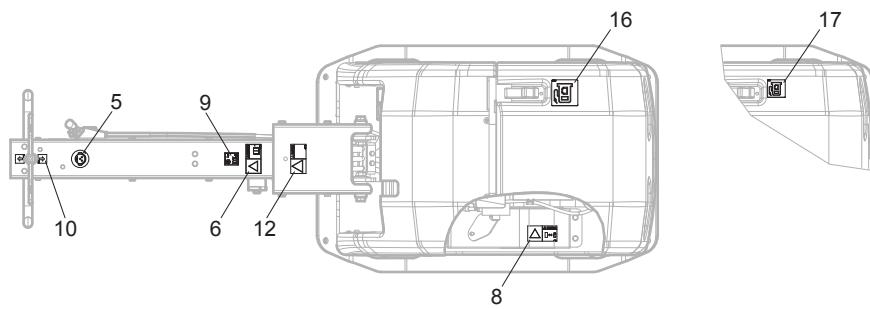
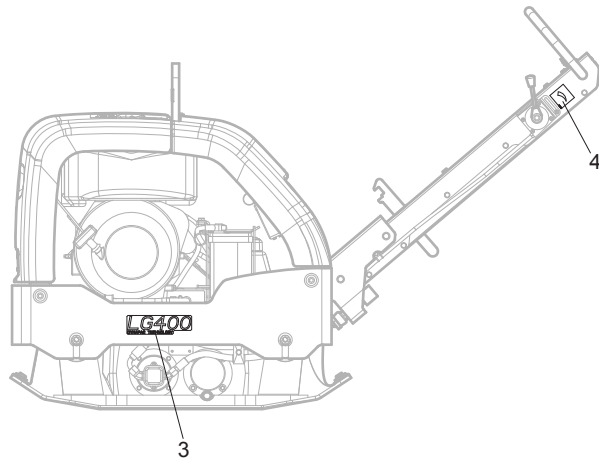
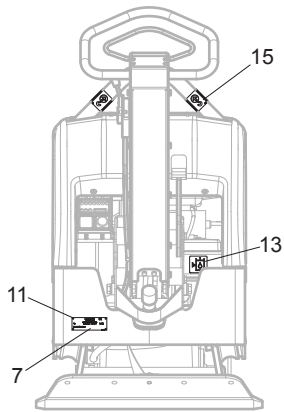
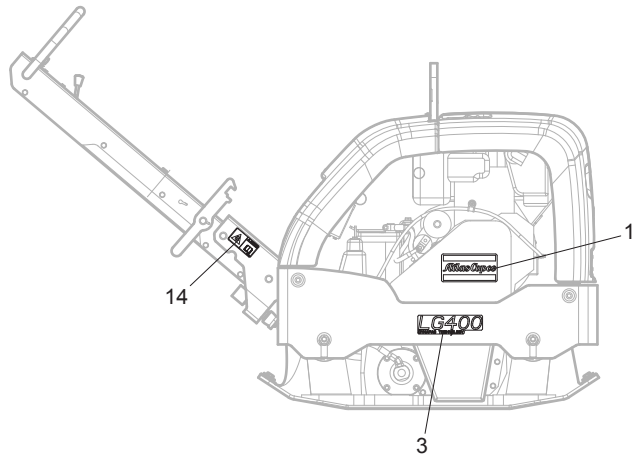
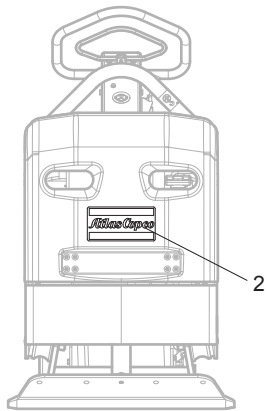
| No. | Description | Remark | Quantity | Part number |
|--------|----------------------------|--|----------|--------------|
| 1(2-3) | Throttle control, complete | | 1 | 4812 0702 63 |
| 2 | Handle | | 1 | 4700 3971 14 |
| 3 | Control cable | | 1 | 4812 0702 64 |
| 4 | Screw | M5 x 30 mm A2-70 | 4 | - |
| 5 | Bracket | | 1 | 4812 0701 15 |
| 6 | Screw | M6 x 16 mm 8.8 A2K | 1 | - |
| 7 | Washer | 6.4 x 12 x 1.5 mm 0.25 x 0.47 x 0.06 in. 300 HV | 1 | - |
| 8 | Nut | M6 x 1 mm A2K | 1 | - |
| 9 | Holder | | 1 | 4812 0702 92 |

Throttle control, Lombardini



| No. | Description | Remark | Quantity | Part number |
|--------|----------------------------|--|----------|--------------|
| 1(2-3) | Throttle control, complete | | 1 | 4812 0702 65 |
| 2 | Handle | | 1 | 4700 3971 14 |
| 3 | Control cable | | 1 | 4812 0704 79 |
| 4 | Screw | M5 x 30 mm A2-70 | 4 | - |
| 5 | Bracket | | 1 | 4812 0701 15 |
| 6 | Screw | M6 x 16 mm 8.8 A2K | 1 | - |
| 7 | Nut | M6 x 1 mm A2K | 2 | - |
| 8 | Nipple | | 2 | 4700 2812 36 |
| 9 | Nipple | | 1 | 4812 0702 82 |
| 10 | Washer | 6.4 x 12 x 1.5 mm 0.25 x 0.47 x 0.06 in. 300 HV | 1 | - |

Labels



| No. | Description | Remark | Quantity | Part number |
|-----|-------------------|--|----------|--------------|
| 1 | Product label | "Atlas Copco" | 1 | 3382 0100 60 |
| 2 | Product label | "Atlas Copco" | 1 | 3382 0100 22 |
| 3 | Product Label | "LG 400" | 2 | 3382 0100 61 |
| 4 | Label | Engine speed | 1 | 4700 2842 85 |
| 5 | Label | Ear protection | 1 | 4700 2818 98 |
| 6 | Safety label | Read the Safety and operating instructions | 1 | 4700 9046 80 |
| 7 | Data plate | | 1 | - |
| 8 | Safety label | Rotating V-belts | 1 | 4700 9038 32 |
| 9 | Noise level label | | 1 | 4700 7912 96 |
| 10 | Label | Direction | 2 | 4700 2842 78 |
| 11 | Drive screw | | 4 | - |
| 12 | Safety label | Crush zone | 1 | 4700 9047 85 |
| 13 | Label | Hydraulic oil level | 1 | 4700 2723 73 |
| 14 | Safety label | Lock handle | 1 | 4700 7913 66 |
| 15 | Label | Lifting point | 2 | 4700 3575 87 |
| 16 | Label | Diesel fuel | 1 | 4700 9916 58 |
| 17 | Label | Petrol fuel | 1 | 4700 3813 71 |

Kits

One year service kit, Honda

One year service kit

Part number 3382 1000 53

| Description | Remark | Quantity | Part number |
|---------------|------------------------------------|----------|--------------|
| Air filter | | 5 | 3382 1000 55 |
| Gasket | For oil drain plug. | 1 | 3382 1000 58 |
| Starting rope | | 1 | 3382 1000 56 |
| Spark plug | | 1 | 3382 1000 54 |
| V-belt | See section "Engine installation". | 2 | 4812 0704 78 |
| Gasket | For valve cover. | 1 | 3382 1000 57 |

One year service kit, Lombardini

One year service kit

Part number 3382 1000 27

| Description | Remark | Quantity | Part number |
|-------------|------------------------------------|----------|--------------|
| Air filter | | 5 | 3382 1000 48 |
| Fuel filter | | 5 | 3382 1000 47 |
| Gasket | For oil filter cover. | 1 | 3382 1000 50 |
| V-belt | See section "Engine installation". | 2 | 4700 9047 76 |
| Gasket | For valve cover. | 1 | 3382 1000 51 |
| Oil filter | | 5 | 3382 1000 49 |

Shock absorber repair kit

| Description | Remark | Quantity | Part number |
|----------------------------------|---|----------|--------------|
| Shock absorber repair kit | | 1 | 3382 1000 32 |
| Shock absorber | For ground plate. See section "Ground plate and eccentric element installation". | 4 | 4700 2804 54 |
| Nut | M16 A3K See section "Ground plate and eccentric element installation". | 8 | - |
| Washer | 13 x 30 x 4 mm 0.51 x 1.18 x 0.16 in. 300 HV See section "Ground plate and eccentric element installation". | 8 | - |
| Shock absorber | For handle. See section "Handle". | 4 | 3382 0101 83 |
| Screw | M10 x 14 mm 8.8 A3K See section "Handle". | 8 | - |
| Washer | 10.5 x 22 x 2 mm 0.41 x 0.87 x 0.08 in. 300 HV See section "Handle". | 8 | - |
| Shock absorber | See section "Handle". | 1 | 4700 7928 33 |
| Shock absorber | See section "Handle". | 1 | 4700 7928 32 |
| Nut | M16 A3K See section "Handle". | 2 | - |
| Shock absorber | For hook. See section "Handle". | 1 | 4700 3853 87 |
| Screw | M10 x 20 mm 8.8 A3K See section "Handle". | 1 | - |
| Washer | 13 x 30 x 4 mm 0.51 x 1.18 x 0.16 in. 300 HV See section "Handle". | 2 | - |
| Washer | 10.5 x 22 x 2 mm 0.41 x 0.87 x 0.08 in. 300 HV See section "Handle". | 1 | - |

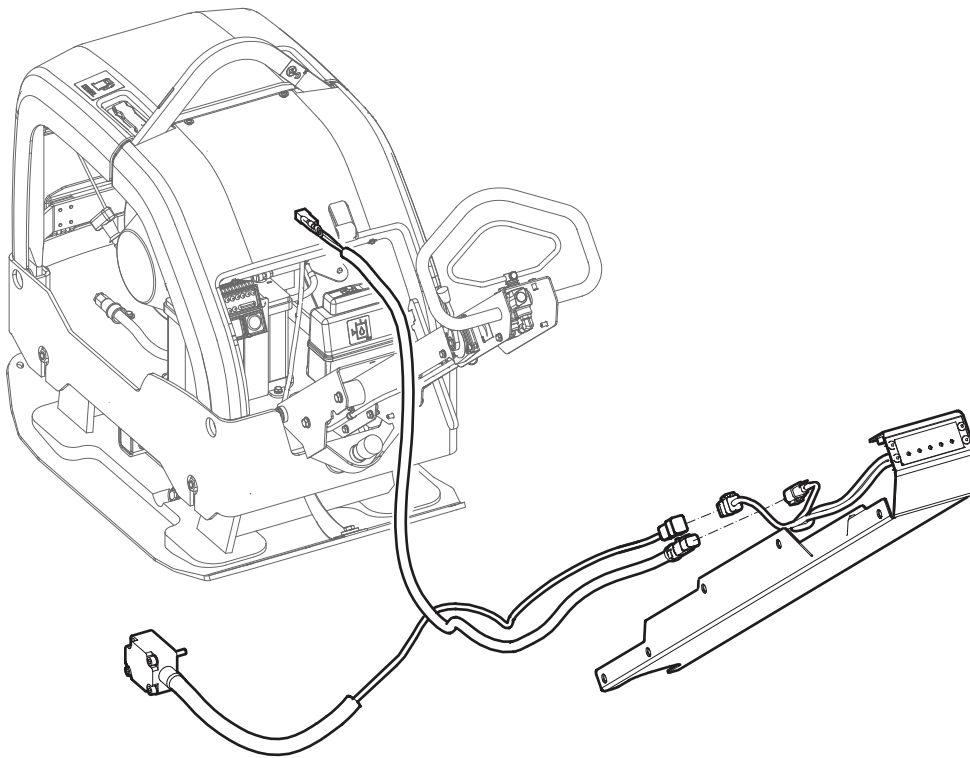
Eccentric element repair kit

| Description | Remark | Quantity | Part number |
|-------------------------------------|--|----------|--------------|
| Eccentric element repair kit | | 1 | 3382 1000 37 |
| Sealing | See section "Eccentric element". | 1 | 4700 9287 94 |
| Ball bearing | See section "Eccentric element". | 4 | 4700 9287 86 |
| Washer | 6.4 x 12 x 1.5 mm 0.25 x 0.47 x 0.06 in. 300 HV See section "Eccentric element". | 16 | - |
| Screw | M6 x 20 mm 8.8 A2K See section "Eccentric element". | 16 | - |
| Copper washer | 16.7 x 24 x 1.5 mm 0.66 x 0.94 x 0.06 in. TYPE A, M16 See section "Eccentric element". | 1 | - |
| Retaining ring | See section "Eccentric element". | 1 | 4700 9287 87 |
| Sealing compound | | 1 | 4700 9299 06 |
| Ball bearing | See section "Eccentric element". | 2 | 4700 9287 96 |

Forward and reverse piston repair kit

| Description | Remark | Quantity | Part number |
|--|--|----------|--------------|
| Forward and reverse piston repair kit | | 1 | 3382 1000 35 |
| Sealing | See section "Eccentric element". | 1 | 4700 2812 76 |
| Piston rod | See section "Eccentric element". | 1 | 4812 0700 44 |
| Retaining ring | See section "Eccentric element". | 1 | 4700 1510 39 |
| Ball bearing | See section "Eccentric element". | 1 | 4812 0703 59 |
| Retaining ring | See section "Eccentric element". | 1 | 4700 1500 02 |
| Ball bearing | See section "Eccentric element". | 1 | 4812 0703 62 |
| Spring washer | See section "Eccentric element". | 1 | 4812 0703 63 |
| Cylinder | See section "Eccentric element". | 1 | 4812 0700 42 |
| Spirol pin | See section "Eccentric element". | 1 | 4700 6290 62 |
| Washer | 6.4 x 12 x 1.5 mm 0.25 x 0.47 x 0.06 in. 300 HV See section "Eccentric element". | 4 | - |
| Screw | M6 x 20 mm 8.8 A2K See section "Eccentric element". | 4 | - |

Compaction indicator kit



| Description | Remark | Quantity | Part number |
|---------------------------------|--|----------|--------------|
| Compaction indicator kit | | 1 | 4812 0706 91 |
| Compaction indicator | Mounted on the eccentric element | 1 | - |
| Compaction indicator display | | 1 | - |
| Wiring harness | | 1 | - |
| Screw | M6 x 40 mm 8.8 A2K | 4 | - |
| Washer | 6.4 x 12 x 1.5 mm 0.25 x 0.47 x 0.06 in. 300 HV | 4 | - |
| Pipe clamp | | 1 | - |
| Pipe clamp | | 3 | - |
| Pipe clamp | | 3 | - |
| Nut | M5 A2K | 4 | - |
| Screw | M5 x 14 A2-70 | 4 | - |
| Sealing compound | | 1 | - |
| Lock fluid | | 1 | - |
| Cable tie | | 8 | - |

Any unauthorized use or copying of the contents or any part thereof is prohibited.
This applies in particular to trademarks, model denominations, part numbers, and
drawings.

© 2012 Atlas Copco Construction Tools AB | No. 9800 1110 01c | 2012-12-19

Atlas Copco

www.atlascopco.com